

MicroCAM – M402 FHD PLUS

On-the-move ANPR+MMR Rooftop single-cable (PoE+) camera

| Model | M402 FHD PLUS (16 mm) | M402 FHD PLUS WIDE (4.5mm) |
|--|--|----------------------------|
| Imaging | | |
| Maximum resolution (HxV pixels): framerate | 2048 x 1536: 20fps 1920 x 1080: 30 fps | |
| Day/night switch | Light sensor, configurable quick auto-switching day/night mode, automatic brightness control | |
| Lens | Fixed 16 mm | Fixed 4.5 mm |

| Distance Range | M402 FHD PLUS (16 mm) | M402 FHD PLUS WIDE (4.5mm) |
|--|---------------------------------------|-------------------------------------|
| Optimal ANPR range at ambient light | 8 m – 15 m (26.2 feet – 49.2 feet) | 1 m – 4 m (3.3 feet – 13.1 feet) |
| Maximal ANPR range at optimal conditions | 20 m (65.6 feet) | 5 m (16.4 feet) |

| Illumination | M402 FHD PLUS (16 mm) | M402 FHD PLUS WIDE (4.5mm) |
|--------------------|-----------------------|----------------------------|
| Wavelength | 850 nm (infrared) | |
| Illumination modes | Synchronized flash | |

| Processing & I/O | M402 FHD PLUS (16 mm) | M402 FHD PLUS WIDE (4.5mm) |
|-------------------------|--|----------------------------|
| CPU for ANPR | ARM Quad Core 64-bit, 4 x 1GHz | |
| Communication protocols | ONVIF, ARP, TCP/IP, DHCP, NTP, FTP, HTTP, RTSP, HTTPS, SFTP, DNS, SNMP, SSL/TLS, NTCIP | |

| Electrical Data | M402 FHD PLUS (16 mm) | M402 FHD PLUS WIDE (4.5mm) |
|-------------------|---|----------------------------|
| Power requirement | PoE+ (IEE 802.3at) | |
| Connectivity | Single cable with RJ45 connector (data and power) | |

| On-Board Intelligence | M402 FHD PLUS (16 mm) | M402 FHD PLUS WIDE (4.5mm) |
|---|---|----------------------------|
| CARMEN® ANPR | Included | |
| CARMEN® Make and Model, Color Recognition | Optional | |
| Video analytics | Included | |
| Trigger sources | Video Analytics / Software trigger (controlled via HTTP or HTTPS request) | |
| GDS compliant | Yes | |
| Data storage | 32 GB internal SSD, ~ 50 000 - 100 000 event | |

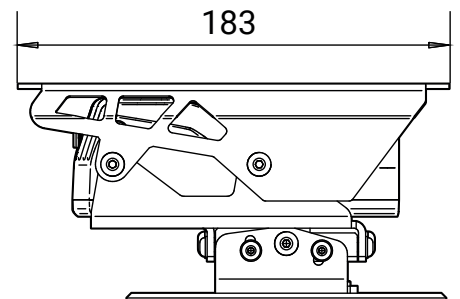
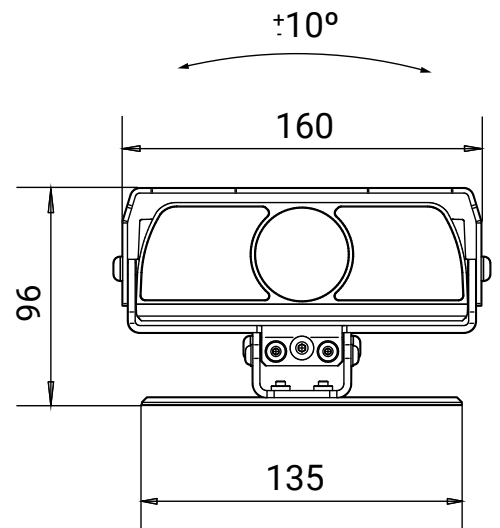
| Mechanical Data | M402 FHD PLUS (16 mm) | M402 FHD PLUS WIDE (4.5mm) |
|-------------------------------------|--|----------------------------|
| Internal operating temperature | -30 °C – +70 °C (-22 °F – +130 °F)* | |
| IP rating | IP67 | |
| Dimensions (with bracket) L x W x H | 183 mm x 160 mm x 96 mm (7.2" x 6.3" x 3.8") | |
| Weight t (with bracket) | 2.0 kg (4.4 lbs) | |
| In the box | Camera with 5 m cable, bracket, shield. | |

| Optional Accessories | M402 FHD PLUS (16 mm) | M402 FHD PLUS WIDE (4.5mm) |
|----------------------|--|----------------------------|
| Optional accessories | Adapter for stationary use (tripod or wall-mount camera bracket) | |

| Certificates | M402 FHD PLUS (16 mm) | M402 FHD PLUS WIDE (4.5mm) |
|--------------|-----------------------|----------------------------|
| Certificate | CE, FCC Class A | |



On-Board ANPR+MMR, powered by:
CARMEN®



3-year warranty
Made in EU

*internal temperature / ambient temperature: max. 55 °C (131 °F)
Technical specifications are subject to change without prior notice. This document does not constitute an offer.



requestinfo@adaptiverecognition.com
www.adaptiverecognition.com

Internal storage: max. 1 TB SSD (available upon request) • On-the-move ANPR • Rooftop camera
• License Plate Detection • Single-cable (PoE+) connection • Auto Brightness Control • Carmen®-ready
• ONVIF-compliant • New, event faster internal PC for ANPR and MMR

© Copyright Adaptive Recognition Inc.
All rights reserved.

Release date: 05. 05. 2023